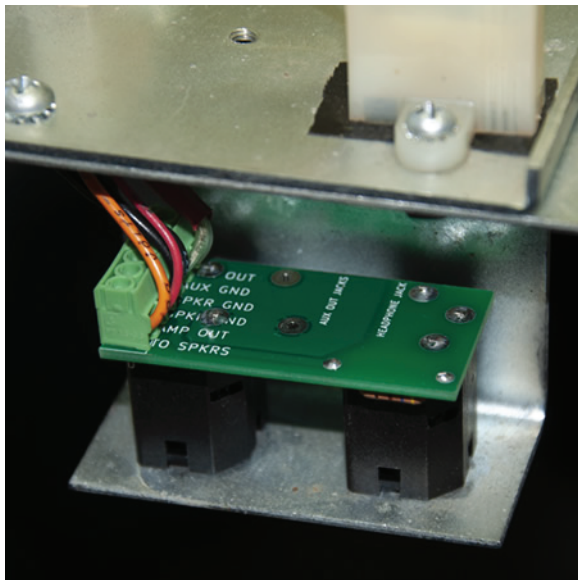
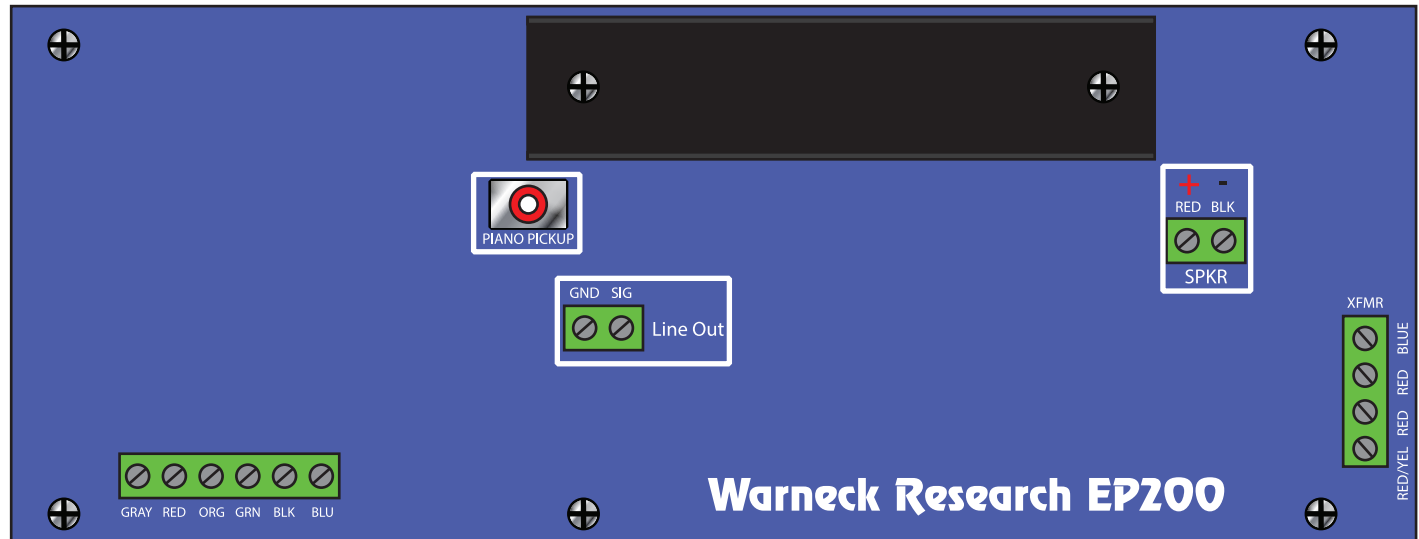


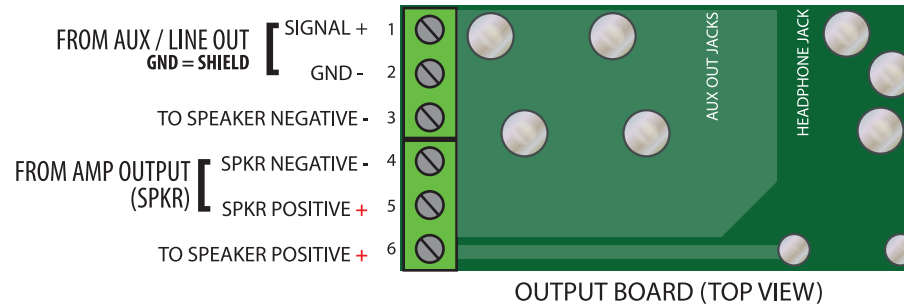
EP200 OUTPUT BOARD WIRING DIAGRAM



Lock washers are not necessary for installation.
Do not over tighten 1/4" Jack Nuts



OUTPUT BOARD CONNECTIONS



POSITION 3 & 6 CONNECT TO SPEAKERS
(ADDITIONAL WIRE LENGTH FOR +/- LEADS MAY BE REQUIRED)