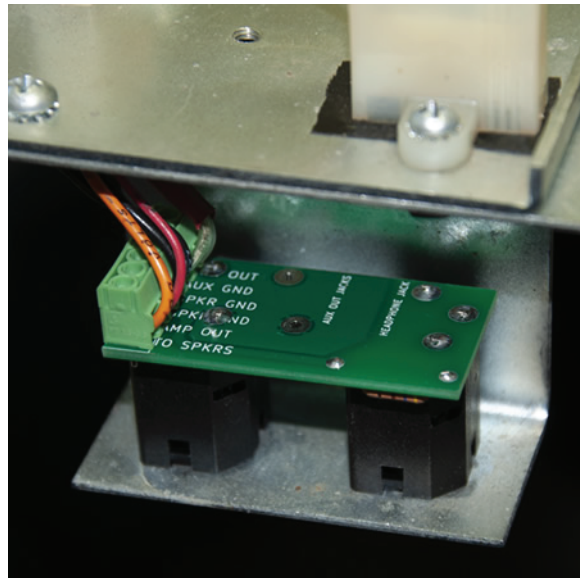


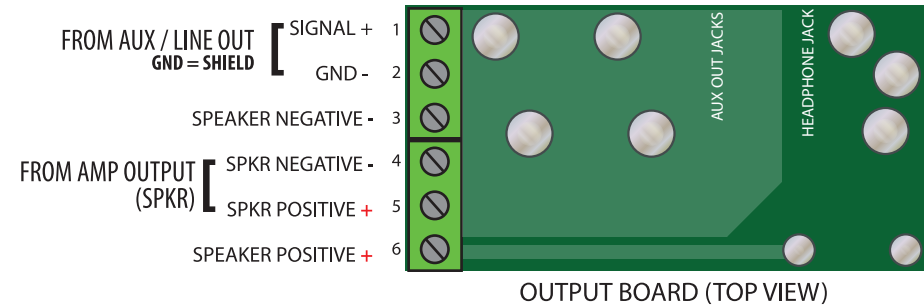
EP200A OUTPUT BOARD WIRING DIAGRAM



Lock washers are not necessary for installation.
Do not over tighten 1/4" Jack Nuts



OUTPUT BOARD CONNECTIONS



**POSITION 3 & 6 CONNECT TO SPEAKER
OUTPUT MOLEX CONNECTOR LOCATED ON AMP RAIL**